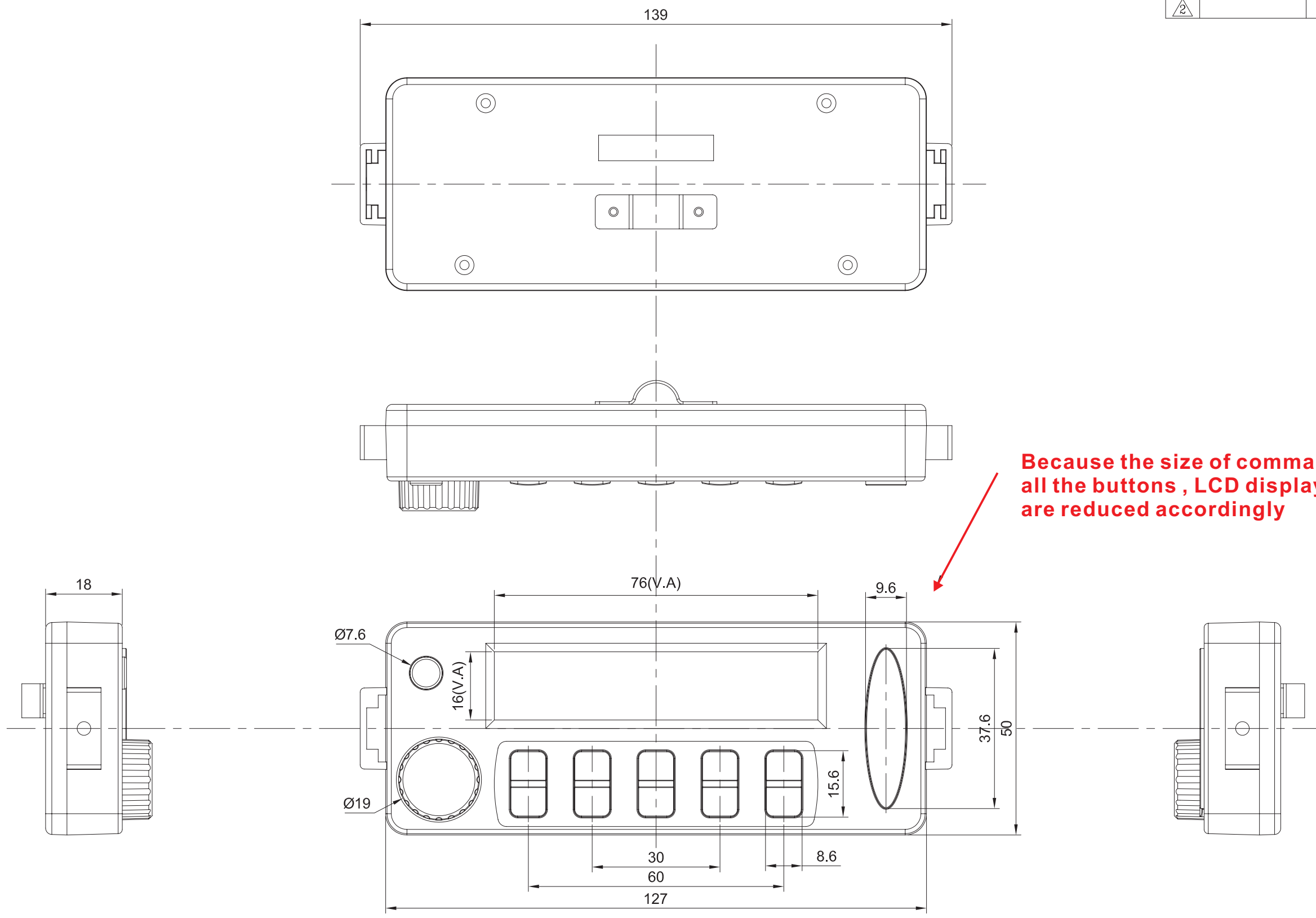


MRK	DATE	REVISION RECORD
①	09/03/06	09/03/06
②		



Because the size of commander are reduced, all the buttons, LCD display on the commander are reduced accordingly

NO.	DESCRIPTION		MATERIAL		FINISH (COLOR)	1	REMARK
DESIGN	CHECK	APPROVAL	SYMBOL	G.TOL	NAME	Q'TY	
<i>Will</i>			⊕	±0.1	COMMANDER ONLY	1	
09/03/09			SCALE	UNIT			
SOUNDMAX® Electronics Limited					MODEL NO.	SS-T	FILE
					PART NO.		